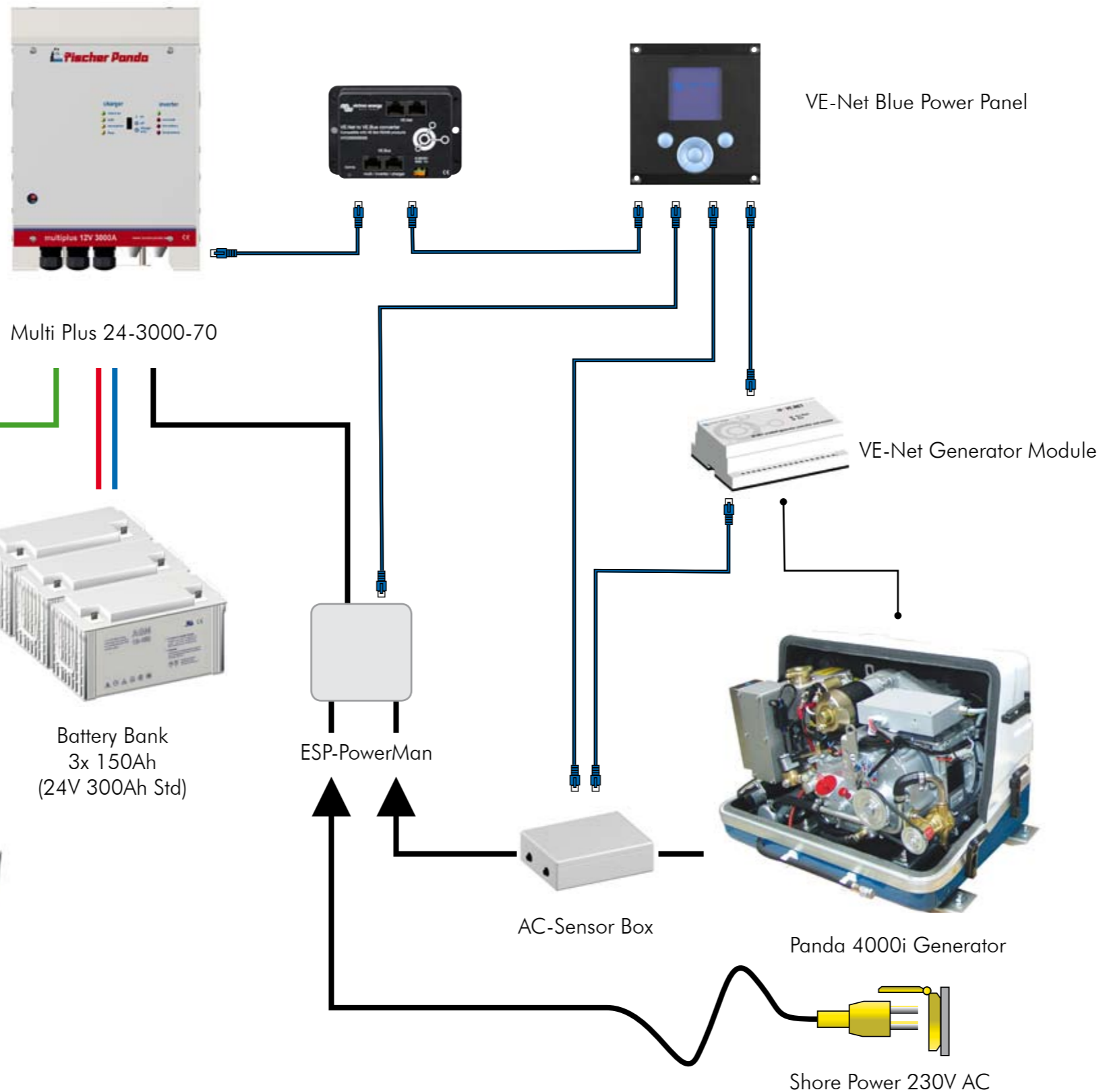


Fischer Panda Hybrid 6/17 Power System

System Power 6.5 kW

AC Power and energy onboard
from multiple sources:

1. Generator only
2. Batteries only
3. Generator and batteries
4. Shore power
5. Shore power supported by batteries



Battery Voltage	24V (12V)
Battery Bank Capacity (recommended)	450 Ah
Continuous Power (Generator)	3.5 kW
Peak Power for System (Generator+Multi)	6.5 kW
Max. Starting Power (24V + 50 Amp Relay)	17.5 kW